

6

5

4

3

2

1

D

D

Name: WIFIG25

Version: V1.0

Date: 2014/03/26

C

C

B

B

A

A

COMPANY: CoreWind			
TITLE: WIFIG25			
P/N: <CODE>			REV: 1.0
Design by: CW	Checked by: CW	Approved by: CW	
DATED: 2014/03/26	DATED: 2014/03/26	DATED: 2014/03/26	
SCALE: <SCALE>	SIZE: A2	SHEET: 1 OF 7	

6

5

4

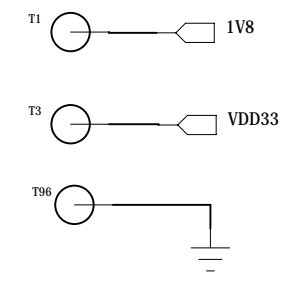
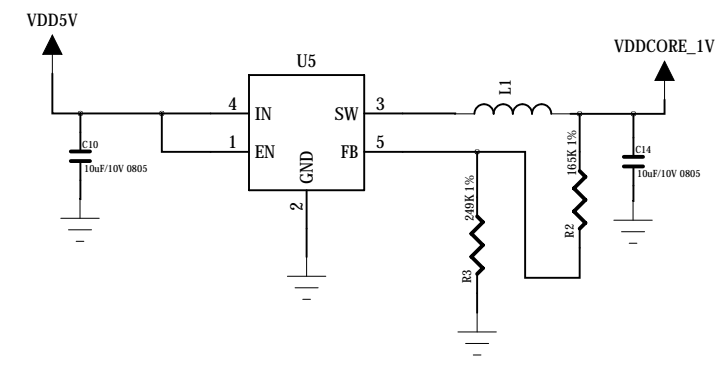
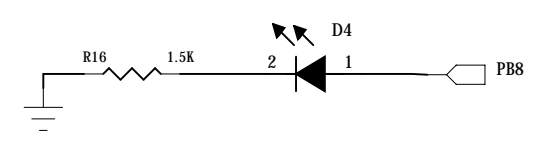
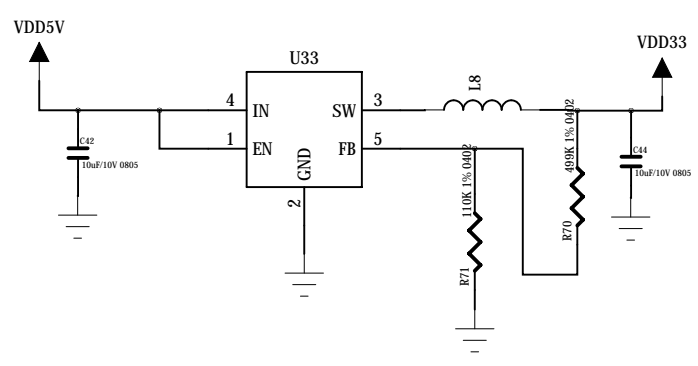
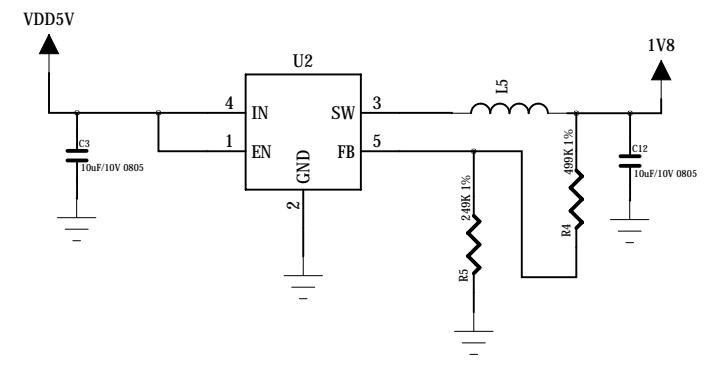
3

2

1

D

D

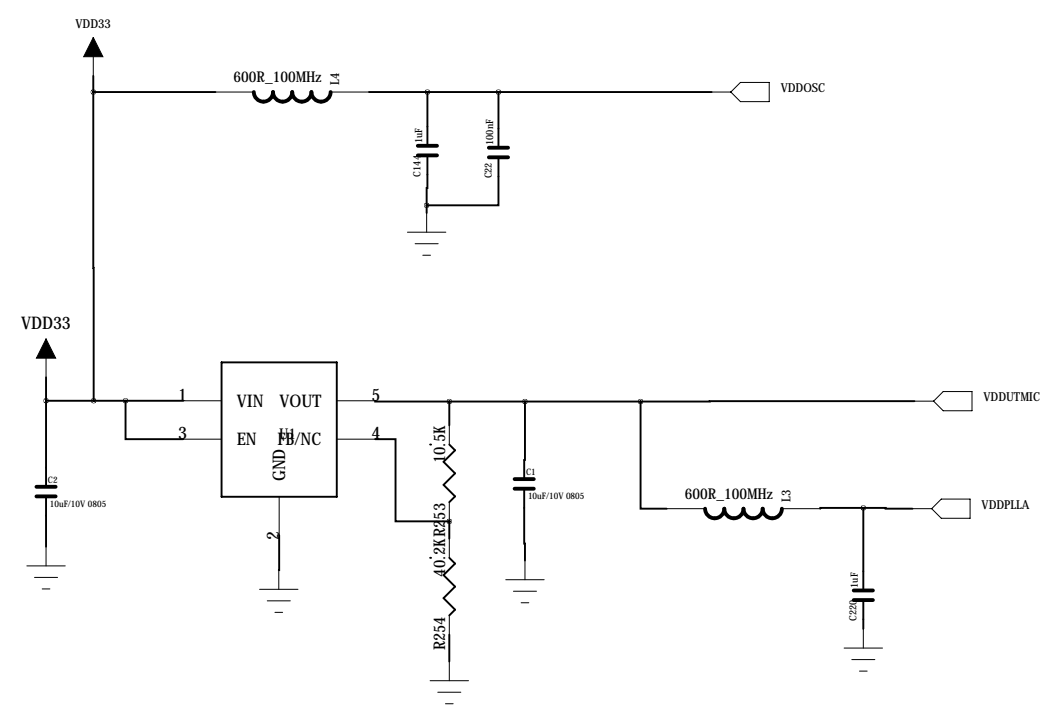
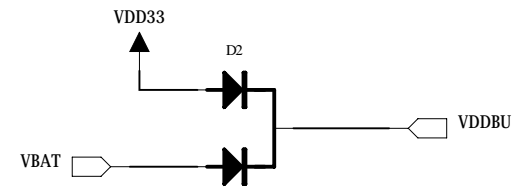


C

C

B

B



A

A

COMPANY: CoreWind		
TITLE: WIFIG25		
P/N: <CODE>	REV: 1.0	
Design by: CW	Checked by: CW	Approved by: CW
DATED: 2014/03/26	DATED: 2014/03/26	DATED: 2014/03/26
SCALE: <SCALE>	SIZE: A2	SHEET: 2 OF 7

6

5

4

3

2

1

D

D

C

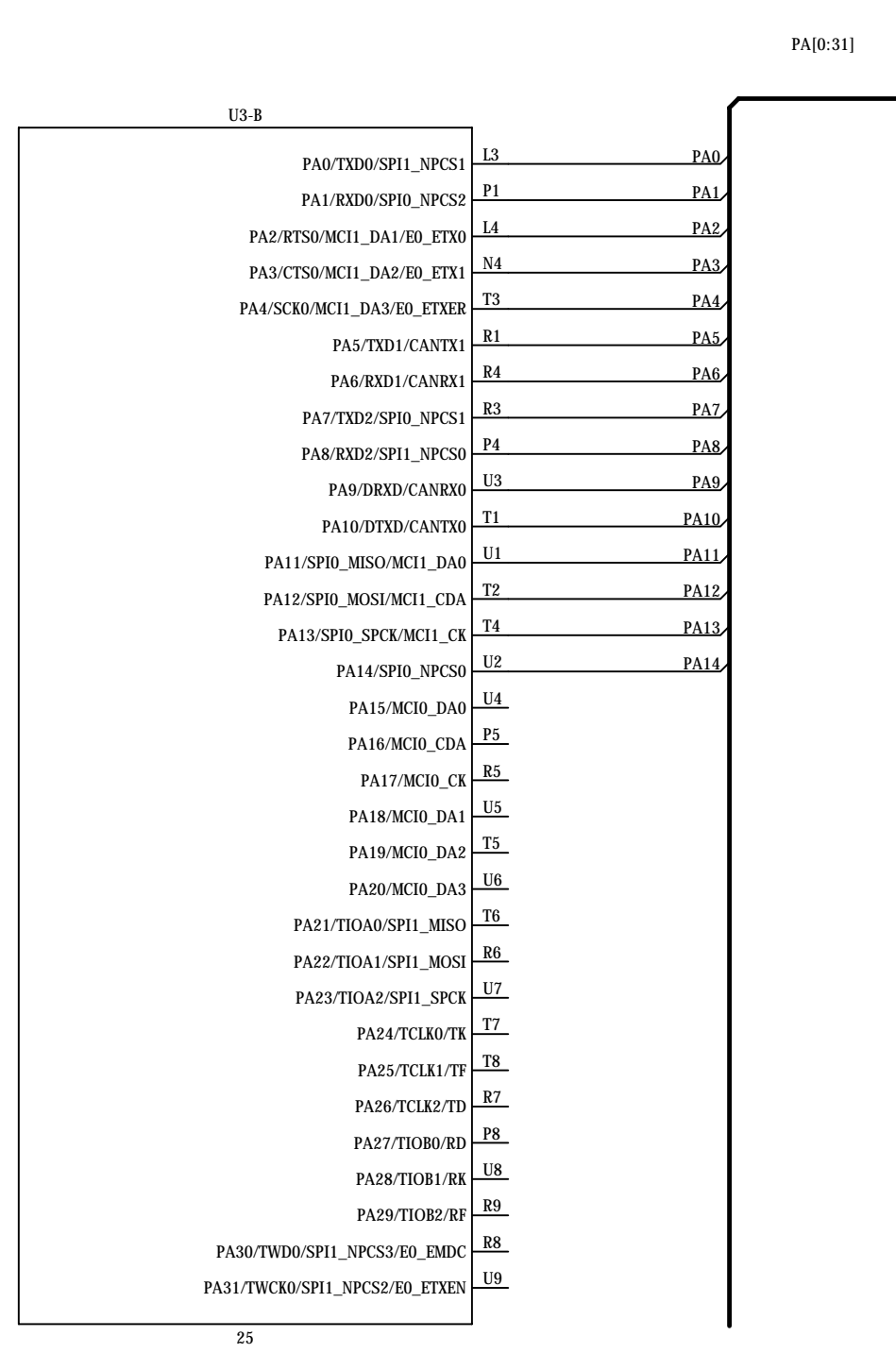
C

B

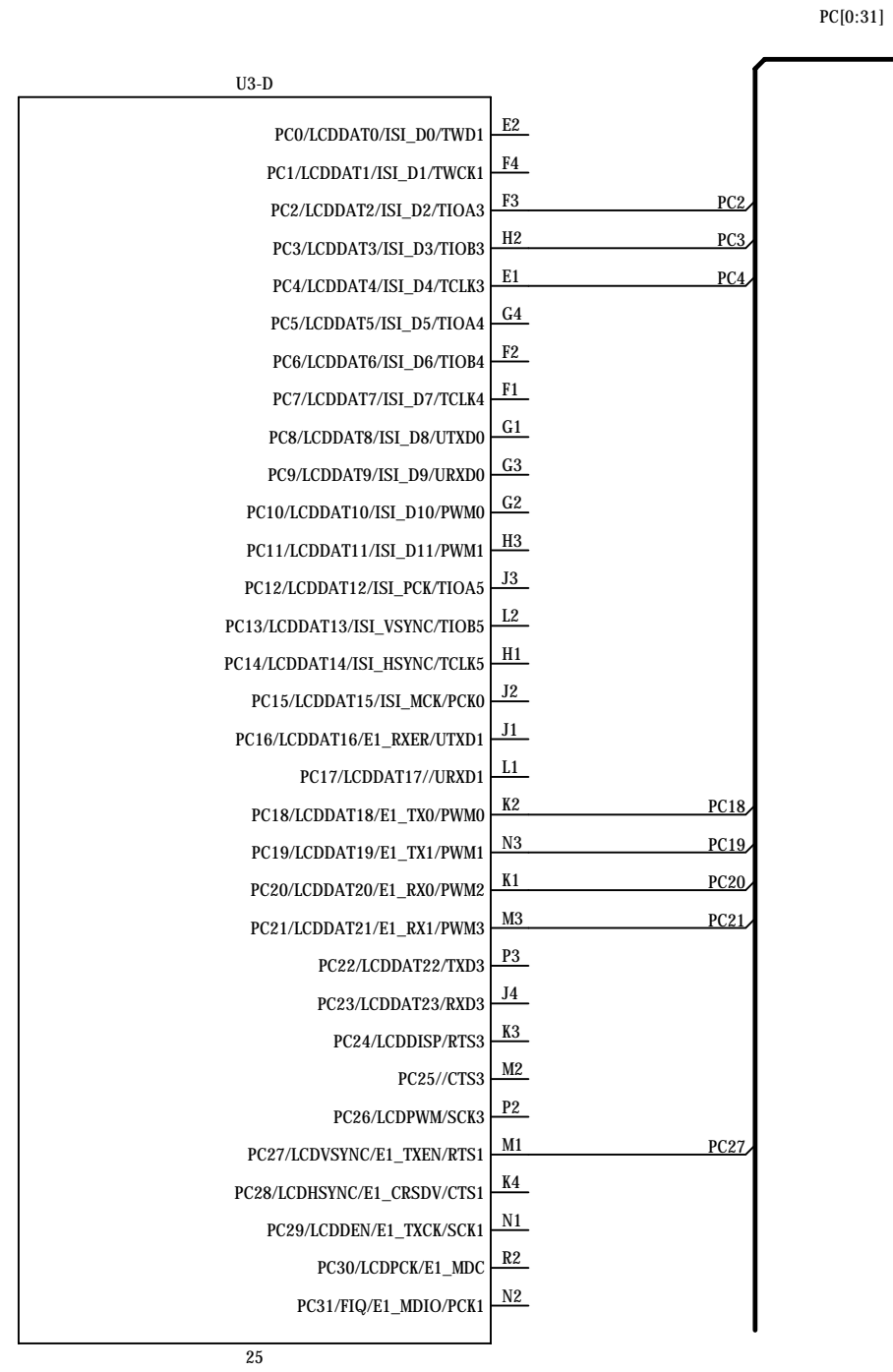
B

A

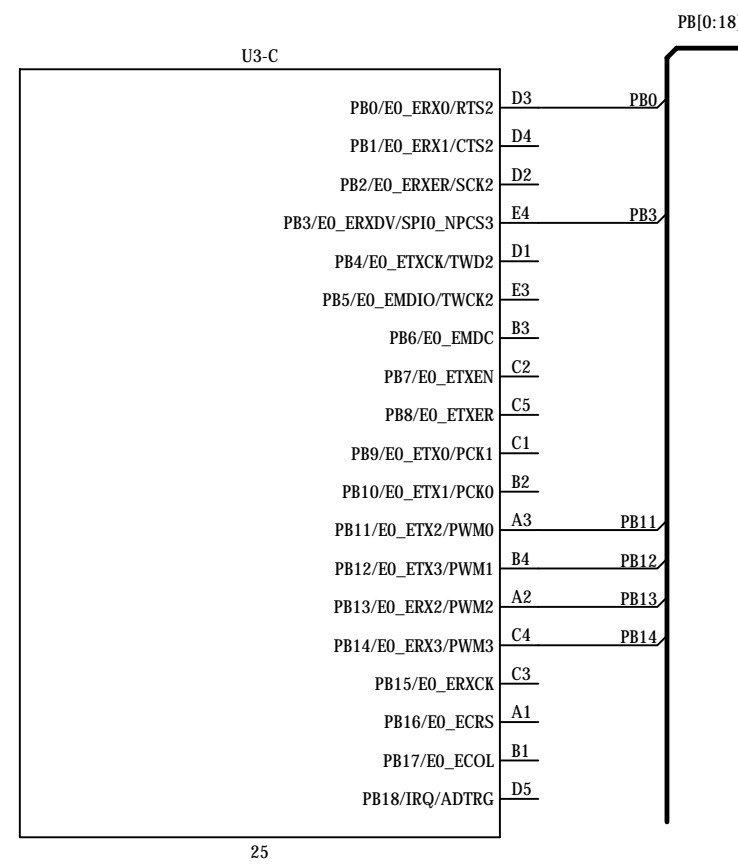
A



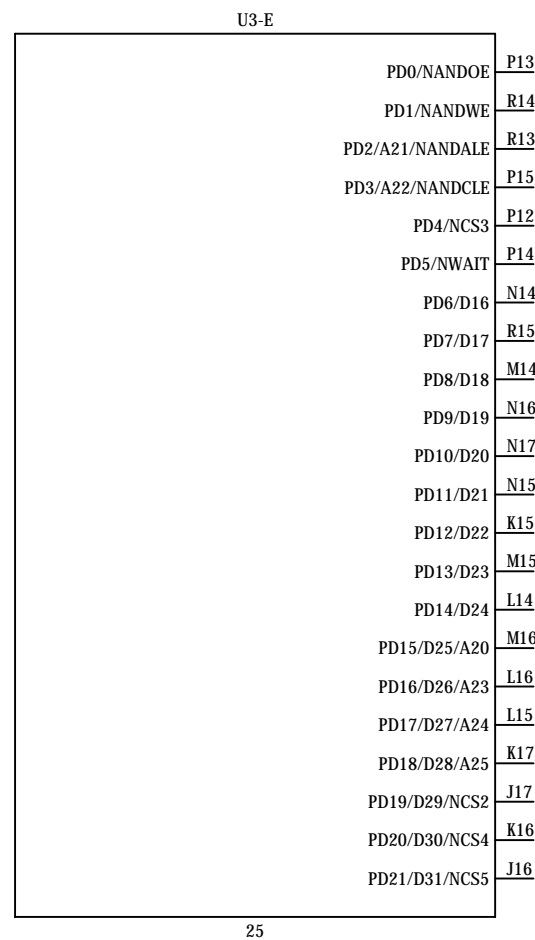
PA[0:31]



PC[0:31]



PB[0:18]



COMPANY: CoreWind		
TITLE: WIFIG25		
P/N: <CODE>	REV: 1.0	
Design by: CW	Checked by: CW	Approved by: CW
DATED: 2014/03/26	DATED: 2014/03/26	DATED: 2014/03/26
SCALE: <SCALE>	SIZE: A2	SHEET: 3 OF 7

6

5

4

3

2

1

D

D

C

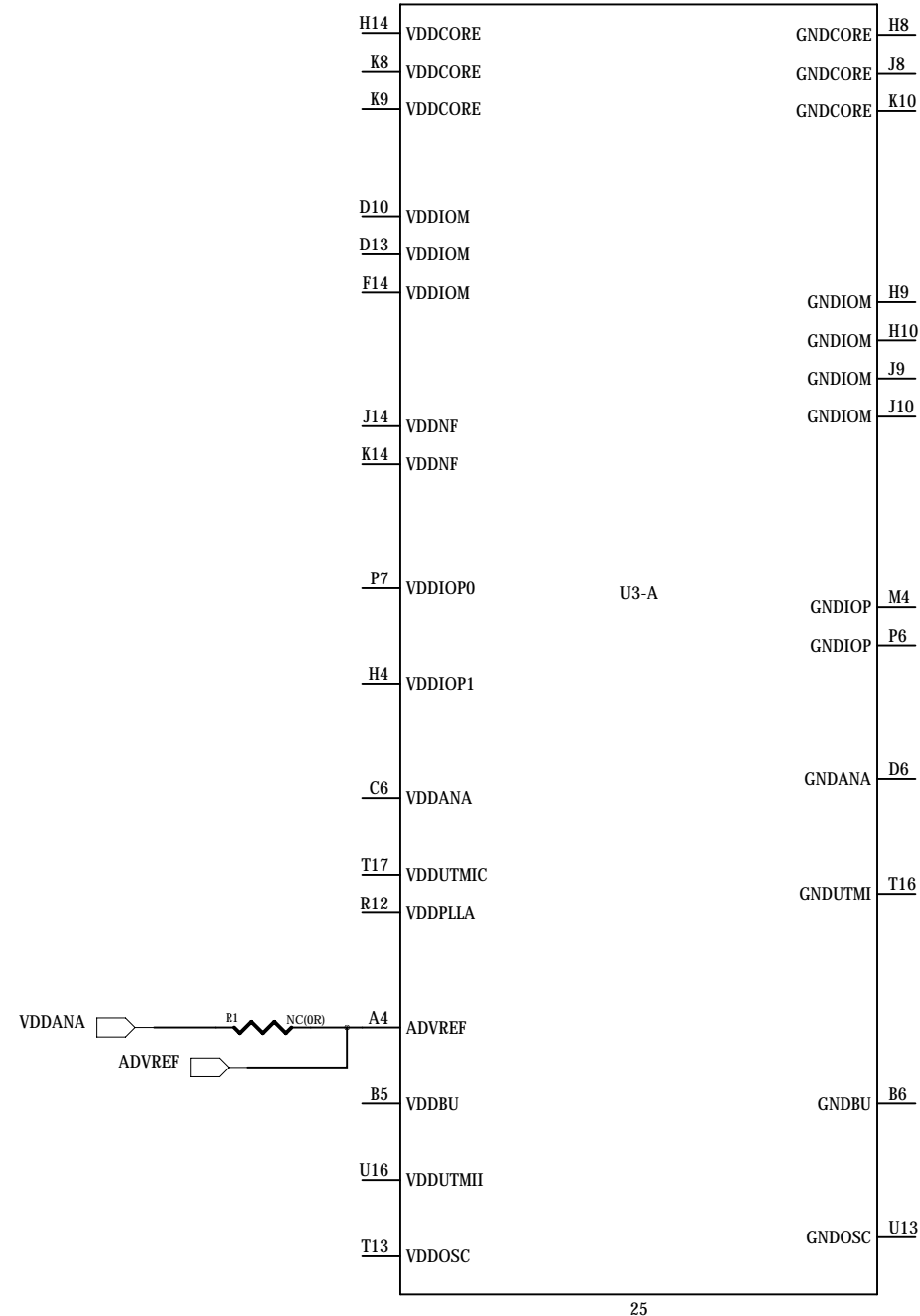
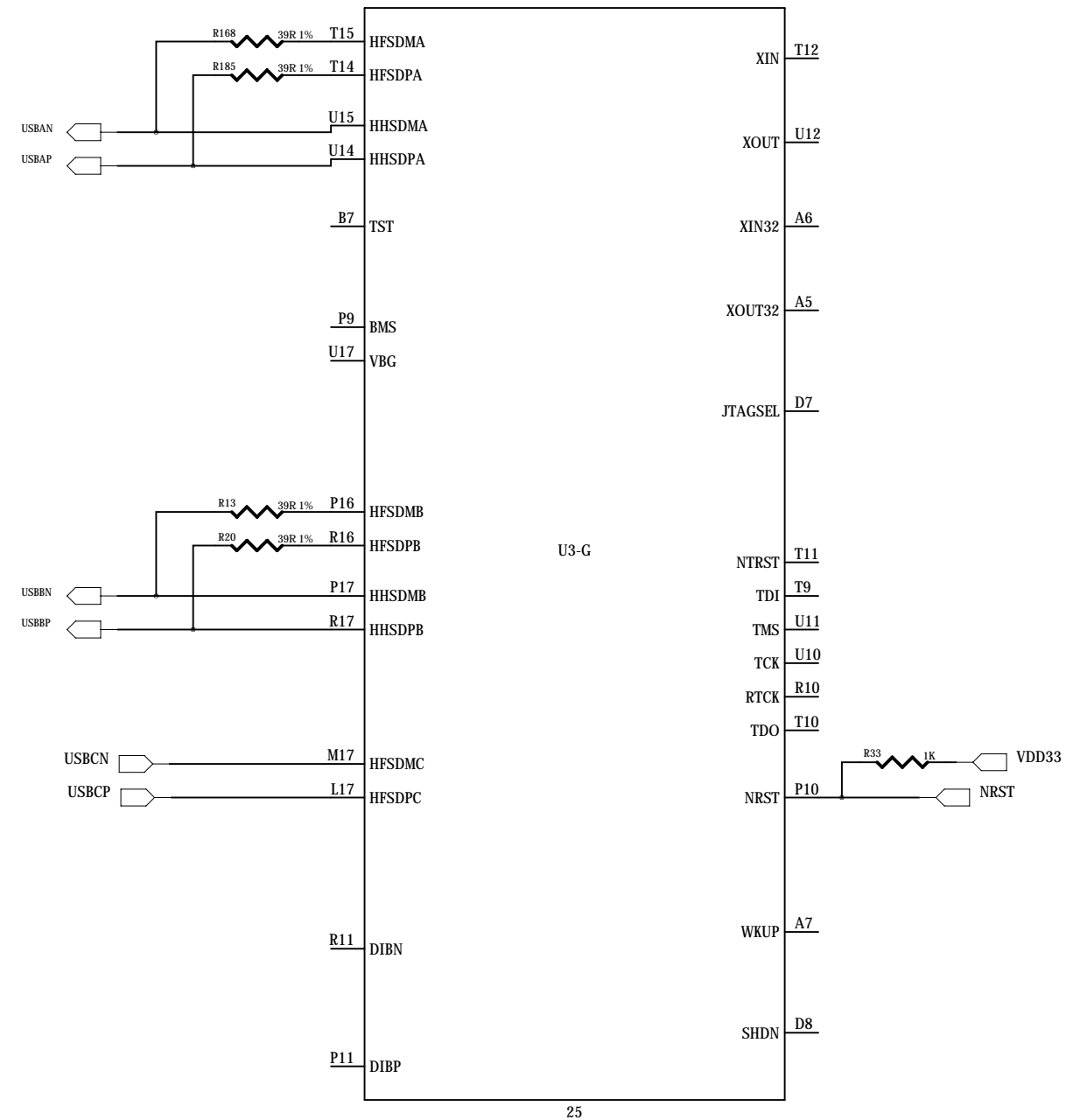
C

B

B

A

A



COMPANY: CoreWind		
TITLE: WIFIG25		
P/N: <CODE>	REV: 1.0	
Design by: CW	Checked by: CW	Approved by: CW
DATED: 2014/03/26	DATED: 2014/03/26	DATED: 2014/03/26
SCALE: <SCALE>	SIZE: A2	SHEET: 4 OF 7

6

5

4

3

2

1

D

D

C

C

B

B

A

A

U3-F

D0	D14
D1	D15
D2	A16
D3	B16
D4	A17
D5	B15
D6	C14
D7	B14
D8	A15
D9	C15
D10	D12
D11	C13
D12	A14
D13	B13
D14	A13
D15	C12
A0/NBS0	J15
A1/NBS2/DQM2/NWR2	H16
A2	H15
A3	H17
A4	G17
A5	G16
A6	F17
A7	E17
A8	F16
A9	G15
A10	G14
A11	F15
A12	D17
A13	C17
A14	E16
A15	D16
A16/BA0	C16
A17/BA1	B17
A18/BA2	E15
A19	E14
DQM0	A10
DQM1	B10
DQS0	A11
DQS1	A9
RAS	B11
CAS	C10
SDWE	A12
SDCKE	B12
SDA10	C8
SDCK	D11
#SDCK	C11
NCS0	B9
NCS1/SDCS	B8
NWR0/NWRE	C9
NWR1/NBS1	C7
NWR3/NBS3/DQM3	A8
NRD	D9

25

COMPANY: CoreWind		
TITLE: WIFIG25		
P/N: <CODE>	REV: 1.0	
Design by: CW	Checked by: CW	Approved by: CW
DATED: 2014/03/26	DATED: 2014/03/26	DATED: 2014/03/26
SCALE: <SCALE>	SIZE: A2	SHEET: 5 OF 7

6

5

4

3

2

1

D

D

C

C

B

B

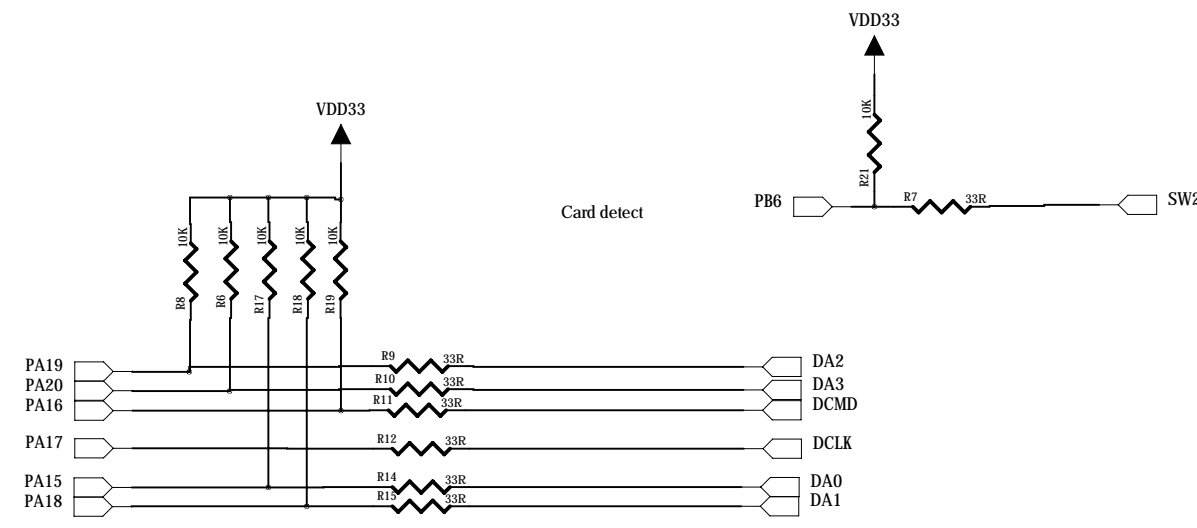
A

A

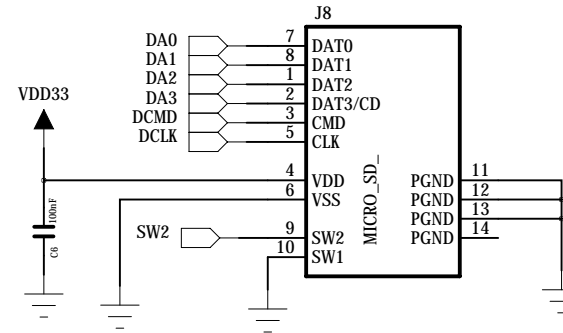
COMPANY: CoreWind		
TITLE: WIFIG25		
P/N: <CODE>	REV: 1.0	
Design by: <b>CW</b>	Checked by: CW	Approved by: CW
DATED: 2014/03/26	DATED: 2014/03/26	DATED: 2014/03/26
SCALE: <SCALE>	SIZE: A2	SHEET: 6 OF 7

D

D



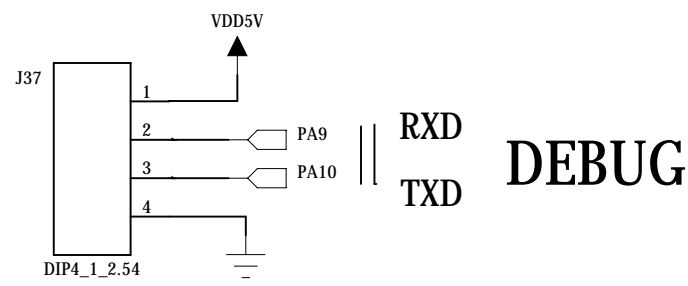
SD CARD



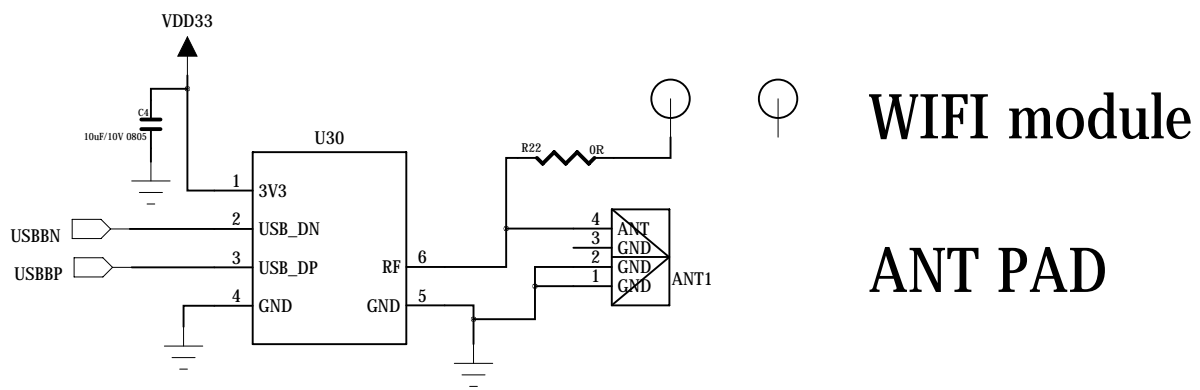
Micro SD

C

C



DEBUG



WIFI module

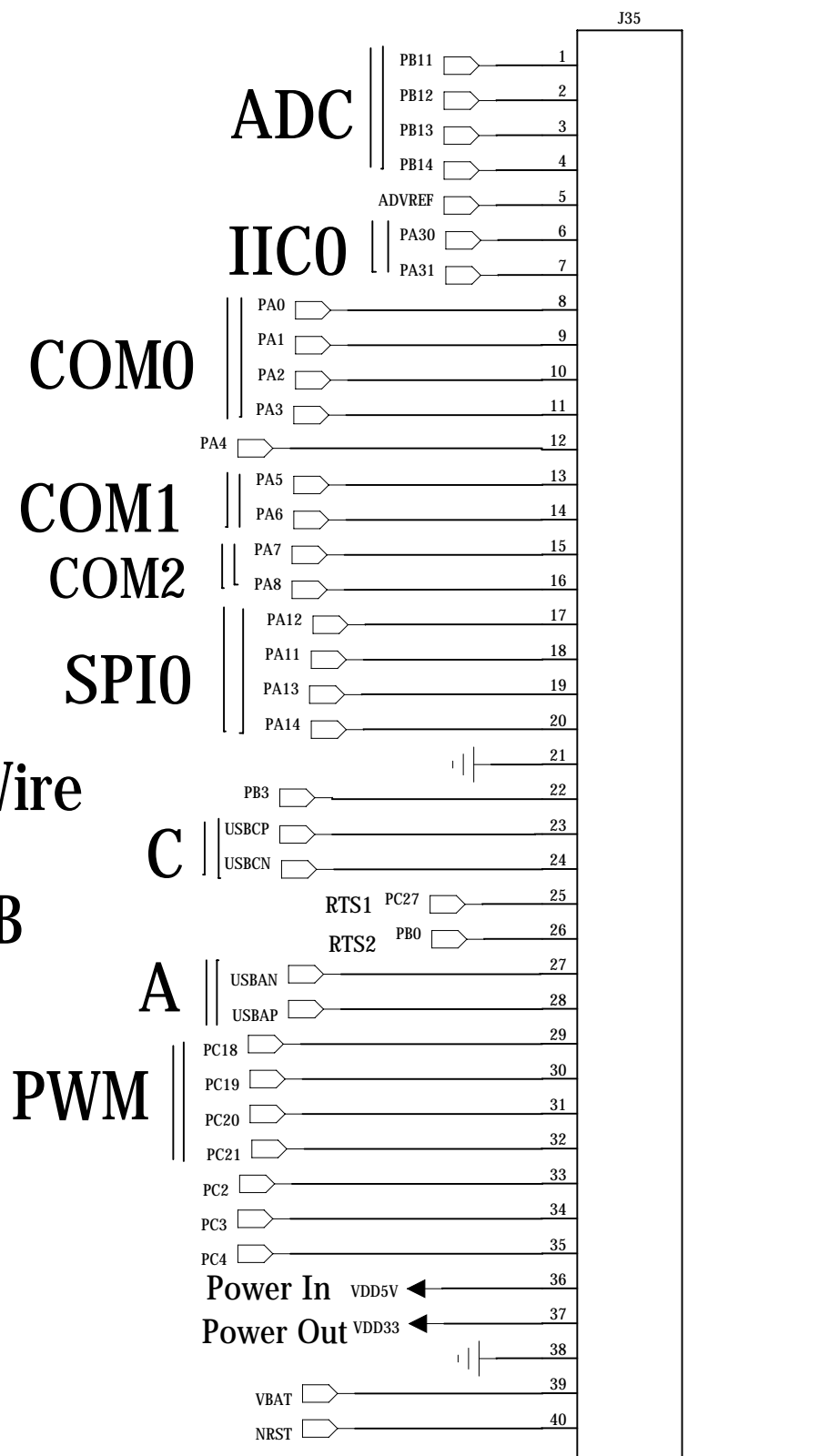
ANT PAD

B

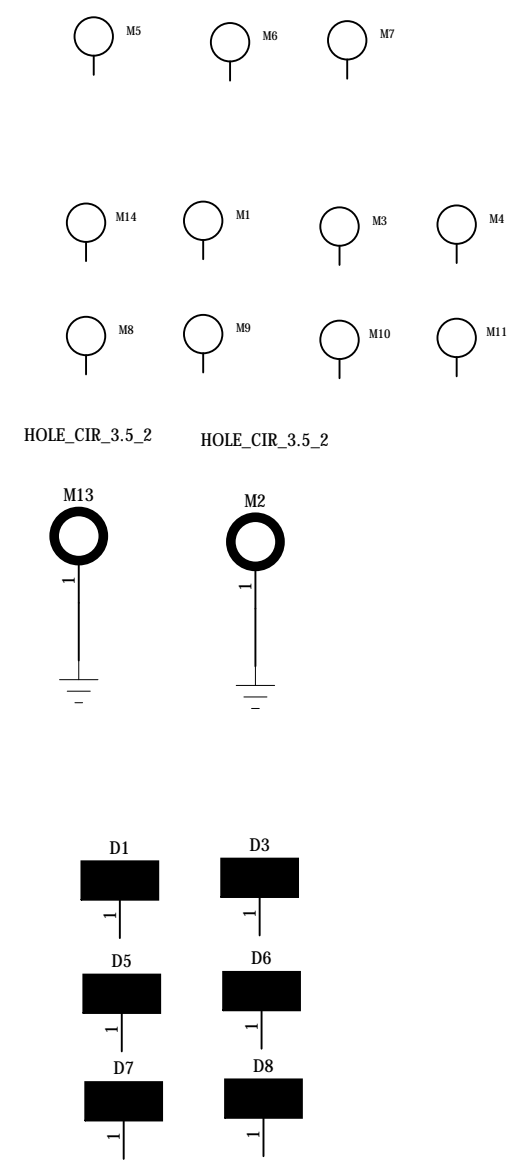
B

1 Wire

B USB

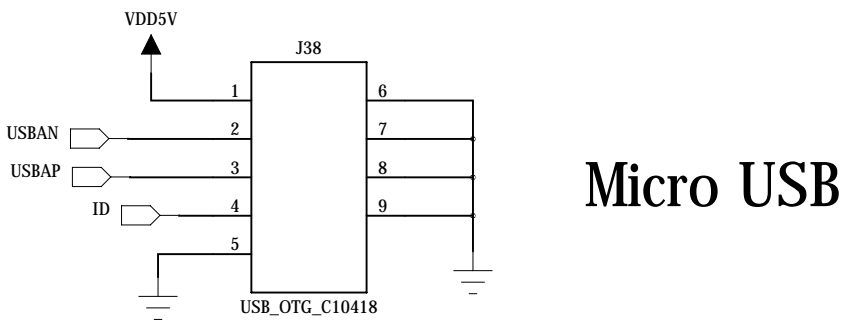


Connector



A

A



Micro USB

COMPANY: CoreWind		
TITLE: WIFIG25		
P/N: <CODE>	REV: 1.0	
Design by: CW	Checked by: CW	Approved by: CW
DATED: 2014/03/26	DATED: 2014/03/26	DATED: 2014/03/26
SCALE: <SCALE>	SIZE: A2	SHEET: 7 OF 7